

# YAMAHA <sup>山本</sup> Moto®

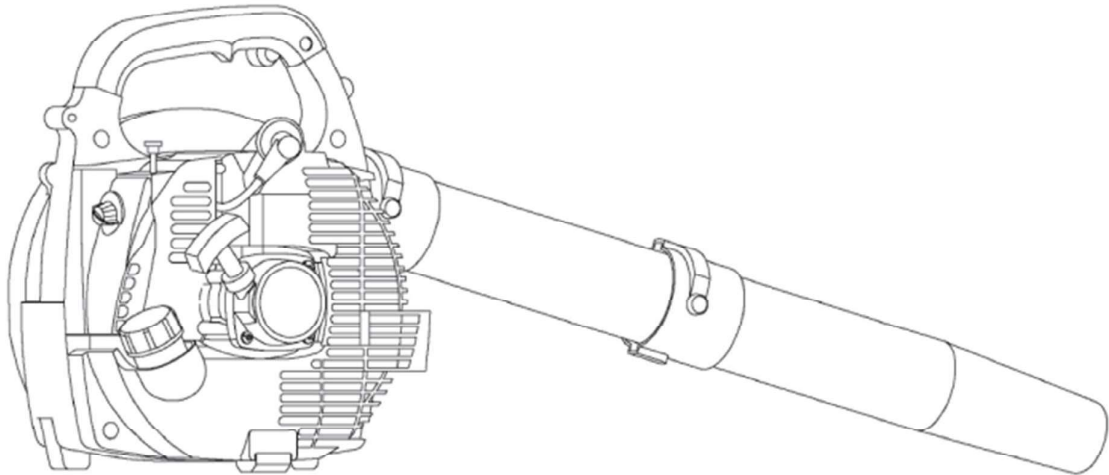
OWNER'S MANUAL

使用說明書

**HAND BLOWER**

手持式吹葉機

**HB-260**



## CAUTION 注意

- Before using our products, please read this manual carefully to understand the proper use of your unit.  
使用本產品之前請務必先閱讀本使用說明書。
- Keep this manual handy. 本使用說明書請妥善保管。

## Contents 目錄

Contents 目錄.....	2
For Safe Operation 正確使用須知.....	2-3
Parts Location 各部位名稱.....	3
Set Up 安裝.....	4
Fuel 燃料.....	5
Starting The Blower 啟動吹風機.....	6-8
Maintenance 保養.....	8-11
Troubleshooting Guide 故障排除指南.....	12-15
Storage 存放.....	15
Disposal 廢棄處置.....	15
Specifications 產品規格.....	16

## For Safe Operation 正確使用須知

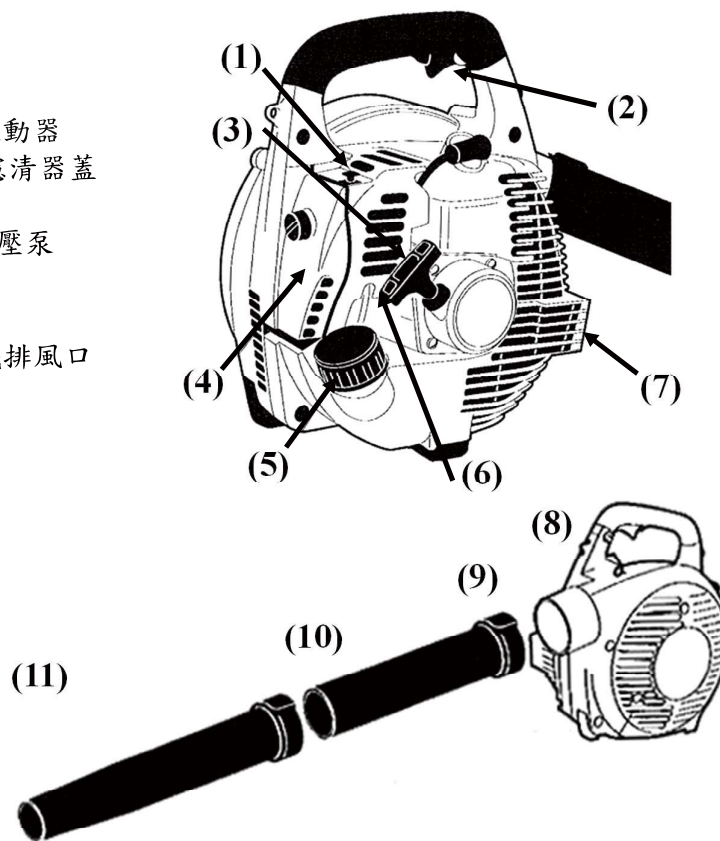
1. Read this manual carefully until you completely understand and can follow all safety notes, precautions, and operating instructions before using of the unit.
  2. Do not operate this tool when you are tired, ill, or under the influence of alcohol, drugs, or medication.
  3. When using the product, you should wear proper clothing and protective equipment that including Helmet, Ear protectors, Protection goggles and face protector, Thick work gloves, Non-slip-sole work boots.
  4. Do not wear loose clothing, jewelry, short trousers, sandals, or go barefoot. Do not wear anything which might be caught by branches or moving parts of the unit. Secure hair so it is above shoulder length.
  5. Never start or run the engine inside a closed room or building. Exhaust gases contain dangerous carbon monoxide.
  6. After starting the engine, if the blower tube continues to blowing when the throttle lever is at“STOP”position, please turn off the engine and take the unit to the servicing dealer authorized by the supplier for repair.
  7. After starting the engine, if the blower tube continues to blowing when the throttle lever is at“STOP”position, please turn off the engine and take the unit to the servicing dealer authorized by the supplier for repair.
  8. Fuel is highly flammable. Always keep open flames and sparks away from the unit and fuel depot. Do not smoke while refueling the unit or mixing fuel.
  9. When refueling the unit, make sure to stop the engine and allow it to cool down. Wipe spilled fuel completely from the unit. Move at least 3 meters away from fueling site before starting the engine.
  10. This product has been designed mainly for the purpose of moving debris such as leaves, grass cuttings, sand, straw, cobwebs and gravel. Please do not use it for any other purpose, as this may cause unforeseen accidents.
  11. Maintain the speed of the engine at the level required to perform spraying work, and never raise the speed of the engine above the level necessary.
1. 使用前請務必先認真閱讀本使用說明書，將產品的性能及使用上的注意事項理解清楚。
  2. 本產品如操作失誤將非常危險，故因疲勞、生病或飲酒等原因身體感到不適、判斷能力降低難以準確進行操作時，請勿使用本產品。
  3. 操作機器時請務必穿戴適當保護裝備，如頭盔、耳塞或耳罩、防塵眼鏡或臉部防護罩、手套、防護鞋...等裝備。
  4. 操作時請勿穿戴首飾或穿著褲腳寬大的褲子、短褲、涼鞋、草鞋或赤腳。長髮操作者，請務必將頭髮塞入頭盔內並確保不會掉出。
  5. 引擎排出的氣體裡含有對人體有害的一氧化碳，請不要在室內，溫室內或隧道內等通風不好的地方使用本產品。
  6. 開始作業前，務必認真檢查機體各部，在確認沒有螺絲鬆動、漏油、損傷或變形等異常情況後方可開始作業。
  7. 引擎啟動後，如加油柄在無效位置時，機器仍持續出風，必須馬上關掉引擎，將本產品交由供應商所授權之服務業者進行檢修。
  8. 在加油和儲油地區必須嚴禁煙火。禁止叼著香煙作業、加油或混合燃料。
  9. 在加油之前必須確認引擎停止並冷卻，加油後將燃料容器密封，然後要在離開燃料容器 3 米以上的地方啟動引擎。
  10. 本產品是用於道路清潔，清掃落葉、路面灰塵、砂粒、蜘蛛網、碎石等垃圾為目的而設計的，請勿用於其他目的。
  11. 引擎轉速請保持在作業需要的範圍之內，勿隨意提高引擎轉速。

## For Safe Operation 正確使用須知

12. While using the product, if abnormal noise or vibration occurs, stop the engine immediately and contact the nearest authorized servicing dealer for assistance.
  13. Pay attention to the direction of the wind, do not work against the wind.
  14. While operating please hold the grip firmly at all times and be careful not to point the blower tube in the direction of a fire, people or animals.
  15. Do not touch the spark plugs while the engine is running, as you may get an electric shock.
  16. In the event that any part must be replaced or any maintenance or repair work not described in this manual must be performed, please contact a representative from the store nearest authorized servicing dealer for assistance.
  17. Secure the unit before storage or transporting to prevent loss of fuel, damage or injury. Do not transport the unit while it has fuel in the tank, as these could leak out as a result of impact during transportation.
  18. Use only for tasks explained in the instruction
12. 操作機器時，如有不正常的噪音或震動產生，須馬上停止引擎，將本產品交由授權之服務業者進行檢修。
  13. 操作時需留意風向，避免逆風操作，否則將有揚塵污染或影響操作者視線之虞。
  14. 操作機器時請握緊操縱手柄，切勿將出風口或風管面對火源、他人或動物。
  15. 引擎啟動時，請勿觸碰火星塞，以免遭受電擊。
  16. 本說明書上已記載維持產品性能所必要的檢修方法，如需要進行本說明書上未敘述之檢修時，請聯絡鄰近所授權之服務業者進行檢修。
  17. 用汽車搬運時，請用繩索將機體牢固的固定在車槽內，以避免機體損壞或燃料外漏。油箱內裝有燃料時切勿搬運機體，避免燃料於運送途中漏出。
  18. 照本說明書的使用事項來操作此機器。

## Parts Location 各部位名稱

- (1) Choke 啟動風門
- (2) Throttle Lever 油門開關
- (3) Recoil / Starter Handle 啟動器
- (4) Air Cleaner Cover 空氣濾清器蓋
- (5) Fuel Fill Cap 油箱蓋
- (6) Fuel Primer Bulb 燃料按壓泵
- (7) Exhaust Outlet 排風出口
- (8) Stop Switch 熄火開關
- (9) Blower Discharge 吹風機排風口
- (10) Straight Tube 排風接管
- (11) Nozzle Tube 排風噴管



## Set Up 安裝

Place the blower upright on the ground or on a sturdy work surface.

將直風機直立放在地面或堅固的工作面上。

1. Grasp the straight tube as shown, and push the tube over the blower discharge port and locking pins.(F1)

按照圖示握住排風接管，然後將管子推到吹風機排風口和鎖定螺栓上。(F1)

2. Lock the straight tube to the blower discharge port by rotating the tube as shown.(F2)

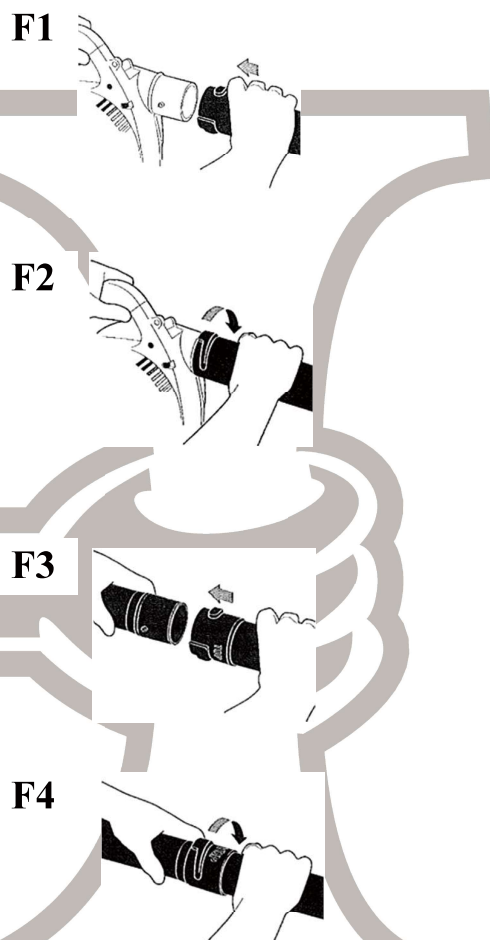
按照圖示旋轉管子，將排風接管鎖定到吹風機排風口上。(F2)

3. Push the nozzle tube over the straight tube and locking pin.(F3)

將排風噴管推入排風接管和鎖定螺栓上。(F3)

4. Lock the nozzle tube to the straight tube by rotating the nozzle tube as shown.(F4)

按照圖示旋轉排風噴管，將排風噴管鎖定到排風接管上。(F4)



### IMPORTANT! 重要提示!

Blower tube installation affects both blower balance and performance!

吹風機管的安裝會影響吹風機的平衡和性能!

The tube and nozzle are correctly installed when the label "Top" is visible to the operator during normal operation.

當操作者在正常操作時能看到標籤「TOP」時，管子和噴嘴已正確安裝。

### WARNING! 警告!

Danger from rotating impeller! Stop the engine before installing or removing the blower tubes!

旋轉葉輪可能造成危險! 在安裝或移除吹風機管之前，請停止引擎!

Never perform any maintenance or assembly procedures on this machine while the engine is running!

永遠不要在引擎運行時進行任何維修或組裝程序!



## Fuel 燃料

### WARNING! 警告!

- **Keep open flames away from the area where fuel is handled or stored.**  
在加油和儲油地區必須嚴禁煙火。
- **Mix and store fuel only in an approved gasoline container.**  
請使用適當的容器來混合或儲存燃料。



Mix a regular grade gasoline (leaded or unleaded, alcohol-free) and a quality-proven motor oil for air cooled 2-cycle gasoline engine use.

建議使用市場上銷售的無鉛汽油及 2 行程 FC 或 FD 級機油。

#### Recommended mixing ratio

建議汽油及機油混合比例：25: 1

Mix Chart 混合表					
Gasoline (liters) 汽油(公升)	1	2	3	4	5
2-cycle oil (ml.) 二行程機油 (毫升 ml.)	40	80	120	160	200

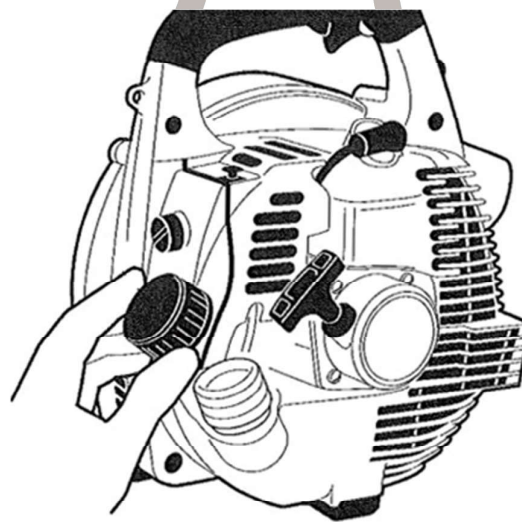
### NOTE 注意

Most engine troubles are caused, directly or indirectly, by the fuel used on the machine. Take special care not to mix a motor oil for 4-cycle engine use.

禁止使用四行程引擎，或水冷二行程引擎機油，否則會造成火星塞堵塞，排氣口不通暢，或活塞環障礙。

### Filling The Fuel Tank 填充燃料

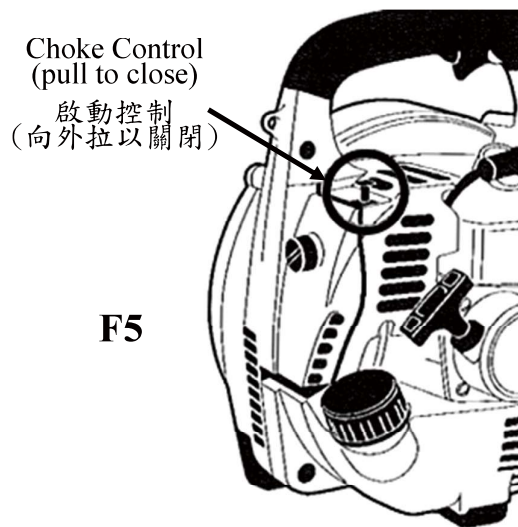
1. Place the blower upright on the ground or on a sturdy work surface, and wipe any debris from around the fuel cap.  
將吹風機直立放在地面或堅固的工作表面上，並從油箱蓋周圍擦拭任何碎屑。
2. Remove the fuel cap.  
拆下油箱蓋。
3. Fill the tank with clean, fresh fuel.  
用乾淨、新鮮的燃料將油箱加滿。
4. Replace the cap, and wipe away any spilled fuel before starting the blower.  
蓋好油箱蓋，然後在啟動吹風機之前擦拭掉任何溢出的燃料。



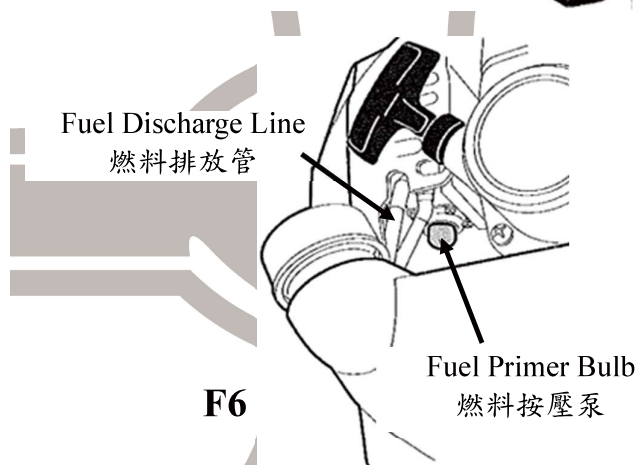
Remove the Fuel Filler Cap  
取下油箱蓋

## Starting The Blower 啟動吹風機

1. Cold Engine Only. Choke the engine by pulling the choke control to the fully extended position (choke is closed).(F5)  
只有在冷引擎情況下。通過將風門拉到完全展開的位置（風門關閉）來啟動引擎。（F5）
2. Prime the fuel system by repeat-edly depressing the fuel primer bulb until no air bubbles are visible in the fuel discharge line.(F6)  
通過反復按壓燃油泵注入汽油，直到燃油排放管中不再有氣泡為止，對燃油系統進行加壓。（F6）
3. Place the blower on the ground, and hold the blower handle firmly with your right hand.  
將吹風機放在地面上，用右手緊握吹風機手柄。
4. Pull the starter cord slowly until you feel the starter engage, then start the blower by pulling the starter cord upward rapidly.  
慢慢拉動起動繩，直到感覺到啟動器啟動，然後迅速向上拉動起動繩以啟動吹風機。



F5



F6

### IMPORTANT! 重要提示!

For maximum blower performance and operating life, allow the engine to warm before use.

為了獲得最佳的吹風機性能和使用壽命，請在使用前讓引擎預熱。

1. Run the engine at idle speed until operating temperature is reached (2 or 3 minutes).  
將引擎運行在怠速速度，直到達到運行溫度（約2至3分鐘）。
2. As the engine warms, open the choke gradually by slowly pushing the choke control in to the fully retracted position.  
隨著引擎變暖，逐漸開啟風門，通過慢慢將啟動控制向內推到完全收縮的位置。
3. The blower should now be ready for use.  
現在吹風機應該已準備就緒。

### WARNING! 警告!

The recoil starter can be damaged by abuse!

反彈啟動器可能會因濫用而損壞!

1. Never pull the starter cord to its full length!  
絕對不要將起動繩拉到最大長度!
2. Always engage the starter before cranking the engine!  
在啟動引擎之前，始終啟動起動器!
3. Always rewind the starter cord slowly!  
始終慢慢地收緊起動繩!
4. Never operate the blower if blower tubes are missing or damaged!  
如果吹風機管缺失或損壞，絕對不要操作吹風機!

## Starting The Blower 啟動吹風機

### If the engine does not start. 如果引擎無法啟動

Repeat the appropriate starting procedures for "hot" or "cold" engine.

If the engine still will not start, follow the "Starting a Flooded Engine" procedure (below).

重複適當的「冷啟動」或「熱啟動」程序。

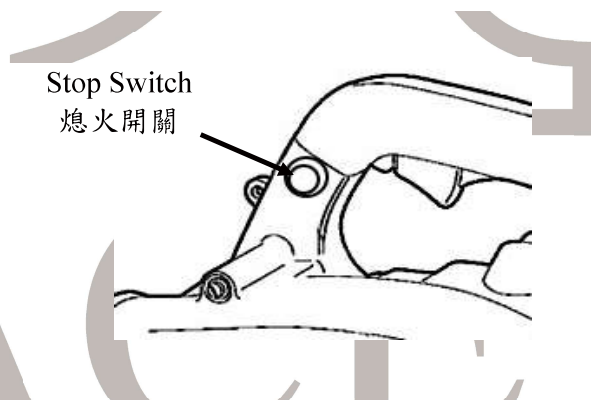
如果引擎仍然無法啟動，請按照以下「啟動溢油引擎」程序進行操作。

### Starting a flooded engine 啟動溢油引擎

1. Disconnect the spark plug lead, and use the spark plug wrench to remove the spark plug in a counter-clockwise direction.  
斷開火星塞高壓線，使用火星塞扳手逆時針方向拆下火星塞。
2. If the spark plug is fouled or is soaked with fuel, clean or replace the plug as required.  
如果火星塞被污損或浸泡在燃料中，根據需要清潔或更換火星塞。
3. Clear excess fuel from the combustion chamber by cranking the engine several times while the spark plug is removed.  
在火星塞拆下的情況下，通過幾次啟動引擎來清除燃燒室中的多餘燃料。
4. Install the spark plug and firmly tighten it with the spark plug wrench. If a torque wrench is available, torque the spark plug to 148-165 inch-pounds. Reconnect the spark plug lead.  
安裝火星塞，並使用火星塞扳手緊固。如果有扭矩扳手，將火星塞扭矩設置為 148-165 英寸-磅。重新連接火星塞高壓線。
5. Repeat the starting procedures for "warm engine."  
重複「溫引擎」的啟動程序。
6. If the engine still fails to fire or start, refer to the troubleshooting flowchart at the end of this manual.  
如果引擎仍無法啟動，請參考本手冊末尾的故障排除流程圖。

### Stopping The Engine 停止引擎

1. Cool the engine by allowing it to run at idle for 2 to 3 minutes.  
引擎怠速運轉 2 到 3 分鐘，以冷卻引擎。
2. Press the stop switch to stop the engine.  
按下熄火開關，停止引擎。



### IMPORTANT! 重要提示!

If the engine continues to run when press the stop switch, stop the engine by pulling the choke control out to the fully closed position. A clean and unrestricted airflow is essential to your blower's engine performance and durability!

如果引擎在按下熄火開關時仍然運轉，請將啟動控制拉出至完全關閉的位置以停止引擎運轉。保持風機引擎性能和耐用性所必需的是清潔且無阻礙的空氣流通！

## Starting The Blower 啟動吹風機

### Adjusting Engine Idle Speed 怠速調整螺絲

1. Start the engine by following the procedures described on the preceding pages.  
按照前幾頁描述步驟啟動引擎。
2. Run the engine at idle speed until operating temperature is reached (2-3 minutes).  
讓引擎在怠速運行，直到達到操作溫度(2-3分鐘)。
3. Use a screwdriver to adjust the engine idle speed to 2800-3000 rpm.  
使用螺絲刀將引擎怠速轉速調整到 2800-3000 轉/分鐘。

Turn the idle screw clockwise to increase engine idle speed.

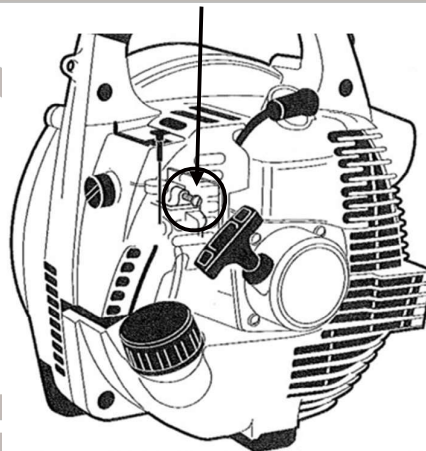
將怠速螺絲順時針旋轉，以增加引擎怠速轉速。

Turn the idle screw counter-clockwise to decrease engine idle speed.

將怠速螺絲逆時針旋轉，以降低引擎怠速轉速。

Idle Speed Adjustment Screw  
(accessible through cowl louver)

怠速調整螺絲  
(可通過機罩通風孔進行調整)



### **IMPORTANT! 重要提示!**

Blower tubes and intake cover must be installed while adjusting engine idle! Engine idle speed will also be affected if either the intake cover or blower tubes are blocked, damaged or incorrectly installed!

在調整引擎怠速時，必須安裝風管和進氣蓋！如果進氣蓋或風管被阻塞、損壞或安裝不正確，引擎怠速速度也會受到影響！

## Maintenance 保養

### **WARNING! 警告!**

Before cleaning, inspecting, or repairing the unit, make sure that the engine has stopped and is cool.  
清理、檢查或修理機器前，先確認引擎已停止並冷卻。

### Daily Maintenance 日常保養

1. Remove dirt and debris from the blower exterior.  
清除風扇外部的灰塵和碎屑。
2. Inspect the engine, tank, and hoses for possible fuel leaks, and repair as necessary.  
檢查引擎、油箱和軟管是否有可能的燃料泄漏，必要時進行修理。
3. Inspect the entire blower for loose, damaged, or missing components, and repair as necessary.  
檢查引擎冷卻片是否積聚了灰塵或碎屑，必要時進行清潔。
4. Inspect the engine cooling fins for accumulations of dirt or debris, and clean as necessary.  
檢查引擎冷卻片是否積聚了灰塵或碎屑，必要時進行清潔。
5. Inspect the entire blower for damage, loose or missing components or fastenings, and repair as necessary.  
檢查整個風扇是否有損壞、鬆動或遺失的部件或固定件，必要時進行修理。



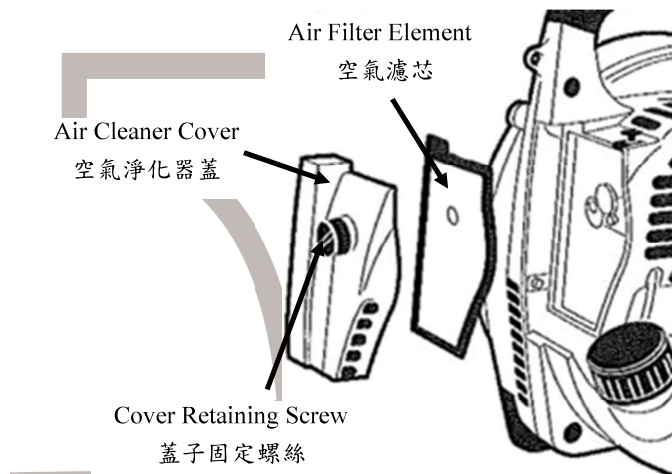
## Maintenance 保養

### Every 10 Hours. 每 10 小時

More frequently in dusty conditions

在多塵的情況下，更頻繁地進行

1. Loosen the air cleaner cover retaining screw, and remove the cover and filter element.  
鬆開濾清器蓋的固定螺絲，取下蓋子和濾芯。
2. Inspect the element. If the element is distorted or damaged, replace it with a new one.  
檢查濾芯。如果濾芯變形或損壞，請用新的濾芯替換。
3. Wash the element in clean fuel, and squeeze or blow dry. Wash the air cleaner cover in clean fuel, and wipe or blow dry.  
用清潔的燃料洗濾芯，然後擠壓或吹乾。用清潔的燃料洗淨濾清器蓋，然後擦拭或吹乾。
4. Install the element and cover, and then tighten the cover retaining screw.  
安裝濾芯和蓋子，然後緊固蓋子的固定螺絲。



### Every 10/15 Hours. 每 10/15 小時

1. Use the spark plug wrench to remove the spark plug (turn counter-clockwise to remove).  
使用火星塞扳手將火星塞取出(逆時針轉動以取出)。
2. Clean and adjust the spark plug gap to 0.024" (0.6 mm). Replace any damaged or visibly worn plug with a Champion CJ8 or equivalent.  
清潔並調整火星塞間隙為 0.024 英寸 (0.6 毫米)。將任何損壞或明顯磨損的火星塞更換為 Champion CJ8 或等效型號。
3. Install the spark plug finger-tight in the cylinder head, then tighten it firmly with the spark plug wrench. If a torque wrench is available, torque the spark plug to 148-165 inch-pounds.  
將火星塞手指緊固在汽缸頭上，然後使用火星塞扳手牢固拧紧。如果有扭矩扳手，將火星塞扭矩固定在 148-165 英寸磅。



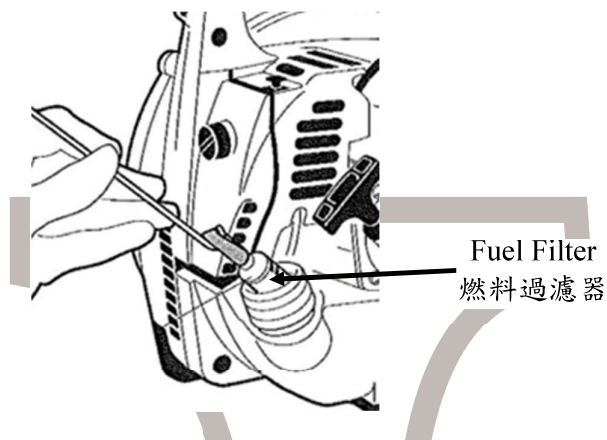
## Maintenance 保養

### Every 50 Hours. 每 50 小時

More frequently if you note reduced performance  
如果您注意到性能下降，則更頻繁地進行檢查

1. **INSPECTION** Inspect the entire blower and tubes for damage, including loose or missing components, and repair as necessary. **SPARK PLUG** Replace the spark plug with a Champion CJ8 (or equivalent), gapped to 0.024 inch (0.6 mm).

檢查整個風扇和管道是否損壞，包括鬆動或遺失的組件，並根據需要進行修理。更換火星塞為 Champion CJ8（或等效型號），間隙設定為 0.024 英寸（0.6 毫米）。



2. **FUEL FILTER** Use a wire hook to extract the fuel filter from inside the fuel tank, and then remove and wash the filter element in clean fuel.

燃料過濾器 使用一根金屬鉤子從燃料箱內部取出燃料過濾器，然後將過濾器元件取出並在清潔的燃料中清洗。

3. **Before reinstalling the filter, inspect the condition of the fuel line. If damage or deterioration are noted, the blower should be removed from service until it can be inspected by a Shindaiwa-trained service technician.**

在重新安裝過濾器之前，檢查燃料管路的狀況。如果發現損壞或劣化，則應將風扇停止使用，直到由 Shindaiwa 訓練有素的技術人員進行檢查為止。

4. **COOLING SYSTEM** Remove the engine cover (as described under "Spark Arrestor"), and use a wood or plastic scraper and a soft brush to remove dirt and debris from the cylinder fins and crankcase.

冷卻系統 取下引擎蓋（如在“火星塞阻火器”下所述），使用木製或塑料刮刀和軟毛刷從汽缸散熱片和曲軸箱上清除污垢和碎片。

### CAUTION! 謹慎!

1. Dirty or damaged cooling system components may allow the engine to overheat, possibly causing serious engine damage!

髒污或損壞的冷卻系統組件可能會導致引擎過熱，可能導致嚴重的引擎損壞！

2. Operating the blower with loose, missing, or damaged components could allow the engine to overspeed, possibly causing serious engine damage!

如果風扇的部件鬆動、遺失或損壞，可能會導致引擎轉速過快，可能導致嚴重的引擎損壞！

3. Never operate the blower if the air cleaner assembly is damaged or missing!

如果空氣濾清器組件損壞或遺失，切勿操作風扇！

4. Never allow dirt or debris to enter the cylinder bore! Before removing the spark plug, thoroughly clean the spark plug and cylinder head area!

永遠不要讓污垢或碎片進入汽缸孔！在拆下火星塞之前，請徹底清潔火星塞和汽缸頭區域！

5. Allow the engine to cool before servicing the spark plug! Cylinder threads can be damaged by tightening or loosening the spark plug while the engine is hot!

在進行火星塞維修之前，請讓引擎冷卻！在引擎熱的情況下擰緊或鬆開火星塞可能會損壞汽缸螺紋！

6. Incorrect spark plug installation can result in serious engine damage!

火星塞安裝不正確可能會導致嚴重的引擎損壞！

## Maintenance 保養

### Spark Arrestor Maintenance. 火星塞維護

Hard starting or a gradual loss of performance can be caused by carbon deposits lodged in the spark arrestor screen. For maximum performance, the spark arrestor screen should be periodically cleaned as follows:

困難啟動或漸漸失去性能可能是由於碳積堵塞了火星塞阻火器屏幕所致。為了最大限度地提高性能，應定期清潔火星塞阻火器屏幕，步驟如下：

1. Remove the spark plug.  
取下火星塞。

2. Remove three self-tapping screws and two machine screws from the engine cover, and then gently move the engine cover aside.  
從引擎蓋中取下三個自攻螺絲和兩個機器螺絲，然後輕輕將引擎蓋移到一邊。

3. Remove the three spark arrestor retaining screws, then remove the spark arrestor cover, screen, gasket, and chamber.  
使用塑料刮刀或鋼絲刷從阻火器屏幕、腔室和蓋子上清除碳堆積物。

4. Use a plastic scraper or wire brush to remove carbon deposits from the arrestor screen, chamber, and cover.  
使用塑料刮刀或鋼絲刷從阻火器屏幕、腔室和蓋子上清除碳堆積物。

5. Inspect the screen carefully, and replace any screen that has been perforated, distorted, or is otherwise unserviceable.  
仔細檢查屏幕，並更換任何有穿孔、變形或無法使用的屏幕。

6. Install the chamber, screen, gasket and cover in the reverse order of disassembly, and then install and securely tighten the three cover retaining screws.  
按照拆卸的相反順序安裝腔室、屏幕、墊圈和蓋子，然後安裝並緊固三個蓋子固定螺絲。

7. Install the engine cover, and verify that the fuel line connections are still tightly in place.  
安裝引擎蓋，並確保燃料管路連接處仍然牢固。

8. Install the engine cover retaining screws in the reverse order of removal, and tighten securely.  
按照拆卸的相反順序安裝引擎蓋固定螺絲，並緊固。

9. Install and tighten the spark plug, and reconnect the spark plug wire.  
安裝並緊固火星塞，並重新連接火星塞線。

10. Install and tighten the spark plug, and reconnect the spark plug wire.  
安裝並緊固火星塞，並重新連接火星塞線。

11. Install and tighten the spark plug, and reconnect the spark plug wire.  
安裝並緊固火星塞，並重新連接火星塞線。

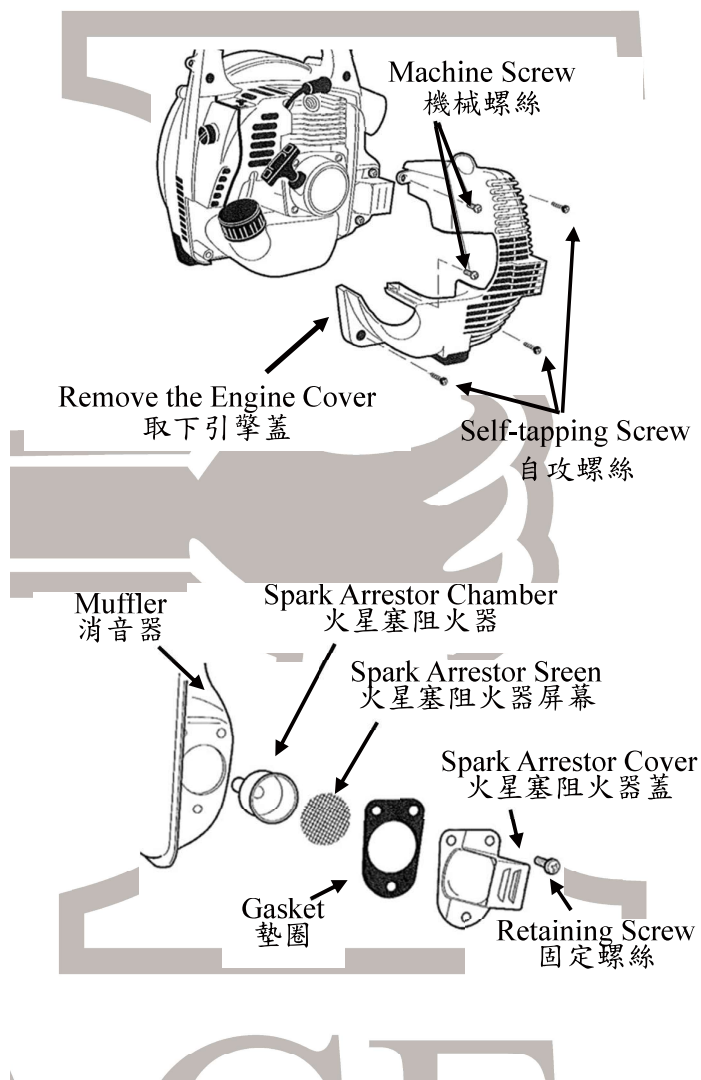
12. Install and tighten the spark plug, and reconnect the spark plug wire.  
安裝並緊固火星塞，並重新連接火星塞線。

13. Install and tighten the spark plug, and reconnect the spark plug wire.  
安裝並緊固火星塞，並重新連接火星塞線。

14. Install and tighten the spark plug, and reconnect the spark plug wire.  
安裝並緊固火星塞，並重新連接火星塞線。

15. Install and tighten the spark plug, and reconnect the spark plug wire.  
安裝並緊固火星塞，並重新連接火星塞線。

16. Install and tighten the spark plug, and reconnect the spark plug wire.  
安裝並緊固火星塞，並重新連接火星塞線。



### CAUTION! 謹慎!

Always replace cover screws in the same holes as removed! Substitution or incorrect assembly of engine cover screws can permanently damage aluminum castings and plastic components!

始終將蓋子螺絲安裝在與移除時相同的孔中！替換或錯誤安裝引擎蓋螺絲可能會永久損壞鋁鑄件和塑料組件！

# Troubleshooting Guide 故障排除指南

## ENGINE DOES NOT START 引擎未啟動

What To Check 要檢查什麼	Possible Cause 可能原因	Remedy 解決方法
<p>Does the engine crank? 引擎是否運轉?</p> <p>YES 是</p>	<p>Faulty recoil starter. 故障的回彈起子。 Fluid in the crankcase. 曲軸箱中的液體。 Internal damage. 內部損壞。</p>	<p>Return blower to dealer. 將吹風機退回經銷商。</p>
<p>Good compression? 壓縮良好?</p> <p>YES 是</p>	<p>Loose spark plug. 火星塞鬆動。 Excess wear on cylinder, piston, rings. 汽缸、活塞，活塞環過度磨損。</p>	<p>Tighten and re-test. 請緊固並重新測試。 Return blower to dealer. 將吹風機退回經銷商。</p>
<p>Does the tank contain fresh fuel of the proper grade? 油箱中是否有適當等級的新鮮燃料?</p> <p>YES 是</p>	<p>Fuel/mixture incorrect, stale, contaminated. 燃料/混合物不正確，陳舊，受汙染。</p>	<p>Re-fill with fresh fuel of the correct mixture. 請使用正確混合比例的新鮮燃料進行補充。</p>
<p>Is fuel visible and moving in the return line when priming? 在噴油時，返油管中是否可見燃料並移動?</p> <p>YES 是</p>	<p>Check for clogged fuel filter and/or vent. 檢查燃料過濾器及/或通氣孔是否堵塞的燃料。</p>	<p>Clen as required; re-start. 根據需求清潔；重新啟動。</p>
<p>Is there spark at the spark plug wire terminal? 火星塞線端子上是否有火花?</p> <p>YES 是</p>	<p>The stop switch is OFF("O") 熄火開關已關閉("O") Faulty ignition ground. 點火接地故障。 Faulty transistor unit. 故障的晶體管單元。</p>	<p>Move switch to ON("I") and re-start. 將開關移至開啟("I")並重新啟動。 Return blower to dealer. 將吹風機退回經銷商。</p>
<p>Check the spark plug 檢查火星塞</p>	<ol style="list-style-type: none"> <li>If the plug is wet, excess fuel may be in the cylinder. 如火星塞潮濕，汽缸內可能有過多燃料。</li> <li>The plug may be fouled or improperly gapped. 火星塞可以已經積污或間隙不正確。</li> <li>The plug may be damaged internally or of the wrong size. 火星塞內部可能已損壞或尺寸不正確。</li> </ol>	<ol style="list-style-type: none"> <li>Crank the engine with the plug removed, replace the plug, and re-start. 拆下火星塞，啟動引擎，然後重新安裝火星塞，再次啟動。</li> <li>Clean and re-gap the plug to 0.024 inch(0.6mm).Re-start. 清潔並重新調整火星塞間隙至 0.024 英寸(0.6mm)。重新啟動。</li> <li>Replace the plug with a Champion CJ8.Re-start. 更換火星塞為 Champion CJ8。重新啟動。</li> </ol>



# Troubleshooting Guide 故障排除指南

## LOW POWER OUTPUT 低功率輸出

### What To Check 要檢查什麼

### Possible Cause 可能原因

### Remedy 解決方法

Is the engine overheating?  
引擎是否過熱？

1. Operator is overworking the machine.  
操作者正在過度使用機器。
2. Carburetor mixture is too lean.  
化油器混合物過於稀薄。
3. Improper fuel ratio.  
燃料比例不正確。
4. Fan, fan cover, cylinder fins dirty or damaged.  
風扇、風扇蓋、汽缸散熱片髒污或損壞。
5. Carbon deposits on piston or in the muffler.  
活塞或消音器上的碳沉積。

1. Use lower throttle setting.  
使用更低的油門設置。
2. Return blower to dealer.  
將吹風機退回經銷商。
3. Re-fill with fresh of the correct mixture.  
補充適當混合比例的新鮮燃料。
4. Clean, repair or replace as necessary.  
根據需求清潔，修理或更換。
5. Decarbonize.  
脫碳。

Engine is rough at all speeds. May also have black smoke and/or unburned fuel at the exhaust.  
引擎在所有轉速下運行不順。排風口可能還會冒出黑煙和/或未燃燒的燃料。

引擎在所有轉速下運行不順。排風口可能還會冒出黑煙和/或未燃燒的燃料。

1. Clogged air cleaner element.  
空氣濾清器元件堵塞。
2. Loose or damaged spark plug.  
火星塞鬆動或損壞。
3. Air leakage or clogged fuel line.  
空氣洩漏或燃料管線堵塞。
4. Water in the fuel.  
燃料中有水。
5. Piston seizure.  
活塞卡死。
6. Faulty carburetor and/or diaphragm.  
化油器和/或隔膜故障。

1. Service the air cleaner.  
清潔空氣濾清器。
2. Tighten or replace.  
緊固或更換。
3. Repair or replace filter and/or fuel line.  
修理或更換濾芯和/或燃料管線。
4. Drain the fuel system, replace the fuel.  
排空燃料系統，更換燃料。
5. Return blower to dealer.  
將吹風機退回經銷商。
6. Return blower to dealer.  
將吹風機退回經銷商。

Engine is knocking.  
引擎發出敲擊聲。

1. Overheating condition.  
過熱狀況。
2. Improper fuel.  
燃料不當。
3. Carbon deposits in the combustion chamber.  
燃燒室中的碳沉積。

1. Idle engine until cool; find reason for overheat.  
讓引擎空轉至冷卻，找出過熱原因。
2. Check fuel octane rating; check for presence of alcohol in the fuel.  
檢查燃料辛烷值；檢查燃料中是否含有酒精。
3. Decarbonize.  
脫碳。

# Troubleshooting Guide 故障排除指南

## ■ ADDITIONAL PROBLEMS 額外問題

Symptom 症狀	Possible Cause 可能原因	Remedy 解決方法
Poor acceleration. 加速不良	<ol style="list-style-type: none"> <li>1. Clogged air cleaner element. 空氣濾清器元件堵塞。</li> <li>2. Clogged fuel filter. 燃料過濾器堵塞。</li> <li>3. Carburetor mixture too lean. 化油器混合物過於稀薄。</li> <li>4. Idle speed set too low. 怠速速度設置過低。</li> </ol>	<ol style="list-style-type: none"> <li>1. Clean the element. 清潔濾芯。</li> <li>2. Replace the fuel filter as required. 根據需求更換燃料過濾器。</li> <li>3. Return blower to dealer. 將吹風機退回經銷商。</li> <li>4. Adjust:2300-2500rpm. 調整：2300-2500 轉/分。</li> </ol>
Engine stops abruptly. 引擎突然停止	<ol style="list-style-type: none"> <li>1. Stop switch turned OFF. 熄火開關關閉。</li> <li>2. Fuel tank empty. 燃料箱燃料使用完畢。</li> <li>3. Clogged fuel filter. 燃料過濾器堵塞。</li> <li>4. Water in the fuel. 燃料中有水。</li> <li>5. Shorted spark plug or loose terminal. 火星塞短路或端子鬆動。</li> <li>6. Ignition failure. 點火故障。</li> <li>7. Piston seizure. 活塞卡死。</li> </ol>	<ol style="list-style-type: none"> <li>1. Set the switch to 'I'(ON) and re-start. 將開關設置為'I'(ON)並重新啟動。</li> <li>2. Refuel. 加油。</li> <li>3. Clean or replace filter as required. 根據需求清潔或更換過濾器。</li> <li>4. Drain; replace with clean fuel. 排放；使用清潔的燃料進行更換。</li> <li>5. Clean and replace spark plug; tighten the terminal. 清潔並更換火星塞；緊固端子。</li> <li>6. Return blower to dealer. 將吹風機退回經銷商。</li> <li>7. Return blower to dealer. 將吹風機退回經銷商。</li> </ol>
Engine difficult to shut off. 引擎難以關閉	<ol style="list-style-type: none"> <li>1. Ground (stop) wire is disconnected, or switch is defective. 地線(停止)線為連接，或關閉故障。</li> <li>2. Overheating due to incorrect spark plug. 由於不正確的火星塞而導致過熱。</li> <li>3. Overheated engine. 引擎過熱。</li> </ol>	<ol style="list-style-type: none"> <li>1. Test and replace as required. 測試並根據需求更換。</li> <li>2. Correct plug: Champion CJ8. 正確火星塞：Champion CJ8。</li> <li>3. Idle engine until cool. 讓引擎空轉直到冷卻。</li> </ol>

## Troubleshooting Guide 故障排除指南

### ■ ADDITIONAL PROBLEMS 額外問題

Symptom 症狀	Possible Cause 可能原因	Remedy 解決方法
Excessive vibration. 過多震動	<ol style="list-style-type: none"><li>1. Warped or damaged blower fan. 扭曲或損壞的風扇。</li><li>2. Loose bolt or fastener. 螺栓或螺絲鬆動。</li><li>3. Internal engine damage. 內部引擎損壞。</li></ol>	<ol style="list-style-type: none"><li>1. Inspect and replace fan as required. 檢查並根據需求更換風扇。</li><li>2. Tighten as required. 根據需求進行緊固。</li><li>3. Return blower to dealer. 將吹風機退回經銷商。</li></ol>

### Storage 存放

#### MAINTENANCE BEFORE STORAGE 長期存放之前的檢修

##### IMPORTANT! 重要提示!

1. Old fuel left in the carburetor may cause starting failure. When a series of operation finished, make sure to empty the fuel tank and run the engine until it uses all the fuel left in the fuel line and the carburetor.  
舊燃料殘留會堵塞油路影響引擎啟動不順甚至無法啟動，每次使用完畢後，建議將燃料箱裡的燃料全部倒出，並啟動引擎，直到其自然熄火停止為止。
2. Check all parts and the functions. If the failed or damaged parts have been found, replace them with new ones.  
清潔機體的髒污，同時檢查各部位有無損傷或鬆動等。發現有異常時，應該徹底維修調整以備下次使用。
3. Store the unit indoor in a dry location and out of the reach of children and other unauthorized persons, taking necessary measures for rust prevention.  
將機體存放於室內乾燥處，避免讓孩童或非操作者本人接觸此機器，並作好適當防塵裝置。

### Disposal 廢棄處置

- When disposing your machine, fuel or oil for the machine, be sure to allow your local regulations.
- 丟棄機器、燃料或潤滑油時，請依據並遵守當地相關法規處理。

## Specifications 產品規格

MODEL 型號	HB-260
DIAMETER OF CYLINDER / STROKE 缸徑/行程(mm)	34 / 28
ENGINE DISPLACEMENT 排氣量(c. c.)	25.4
ENGINE TYPE 引擎形式	2-Stroke, Single Cylinder, Force Air-Cooled, Gasoline Engine 二行程，單汽缸，氣冷，汽油引擎
STANDARD POWER 標定功率 (HP / r / min)	1 / 7000
FUEL MIXTURE(PETROL) 燃油配比	Mixed Fuel of Gasoline and 2 Cycle Oil at 25:1 (JASO FC Class or ISO EGC Class) 汽油和二行程機油混合比 25:1 (JASO FC 級或 ISO EGC 級)
CARBURETOR 化油器形式	Diaphragm Type 膜片式
IGNITION SYSTEM 點火系統	Electronic CDI 電子 CDI
FUEL TANK CAPACITY 油箱容量	0.65 公升/Liter
AIR VOLUME (m <sup>3</sup> /s) 風量	0.13



**HIACE**

**HIACE ENGINE CO., LTD.**

**弘揚精密實業有限公司**  
**HIACE ENGINE CO., LTD.**

雲林縣莿桐鄉興貴村興中75號  
No.75 Singjhong Road, Singguei Village  
Cihtong Township, Yunlin County, Taiwan  
TEL:886-5-5846605 FAX:886-5-5846656  
Http://www.hiace.com.tw  
E-mail:hiace.engine@msa.hinet.net